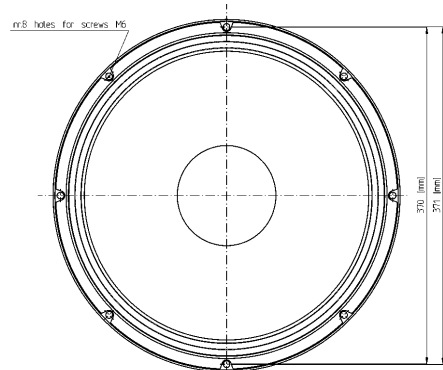
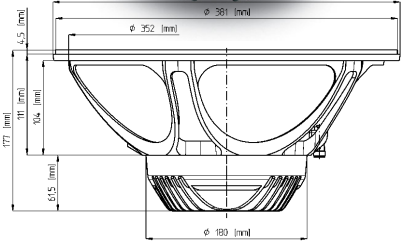




15ND930

15 inch neodymium woofer



Features

- 98 dB SPL 1W / 1m average sensitivity
- 75 mm (3 in) voice coil
- 500W AES power handling

Specification

Nominal Diameter	380mm (15 in)
Rated Impedance	16 Ohm
AES Power	500W
Program Power	800W
Peak Power	1600W
Sensitivity	98 dB
Frequency Range	40 - 4100 Hz
Power Compression @-10dB	0,6 dB
Power Compression @-3dB	1,9 dB
Power Compression @Full Power	2,8 dB
Max Recomm. Frequency	1700 Hz
Recomm. Enclosure Volume	60 ÷ 140 lt. (2,12 ÷ 4,95 cuft)
Minimum Impedance	10,8 Ohm at 25°C
Max Peak To Peak Excursion	33 mm (1,3 in)
Voice Coil Diameter	75 mm (3 in)
Voice Coil Winding Material	copper
Suspension	M-roll, Polycotton
Cone	Curvilinear, Treated paper

Thiele Small Parameters

Fs	36 Hz
Re	10,5 Ohm
Sd	0,085 sq.mt. (131,75 sq. in.)
Qms	5,3
Qes	0,23
Qts	0,22
Vas	206 lt. (7,28 cuft)
Mms	101 gr. (0,22 lb)
BL	23,8 Tm
Linear Mathematical Xmax	± 7,5 mm (± 0,30 in)
Le (1kHz)	1,61 mH
Ref. Efficiency 1W@1m (half space)	98,2 dB

Mounting information

Overall diameter	387 mm (15,24 in)
N. of mounting holes and bolt	8
Mounting holes diameter	7,15 mm (0,28 in)
Bolt circle diameter	370-371 mm (14,55-14,6 in)
Front mount baffle cutout ø	353 mm (13,9 in)
Rear mount baffle cutout ø	357 mm (14,06 in)
Total depth	177 mm (7 in)
Flange and gasket thickness	11,5 mm (0,45 in)
Net weight	4,1 kg (9 lb)
Shipping weight	5,7 kg (12,56 lb)
CardBoard Packaging dimensions	405 x 405 x 214 mm (15,94 x 15,94 x 8,43 in)

